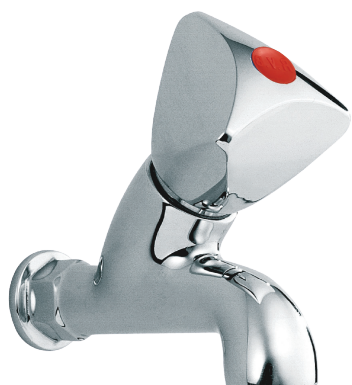


PRODUCT TECHNICAL SHEET

Collection : **TRIO** Ref. : **1001.--.04**

Robinet de service oblique
Dienstkraan, schuin model
Service tap, oblique model

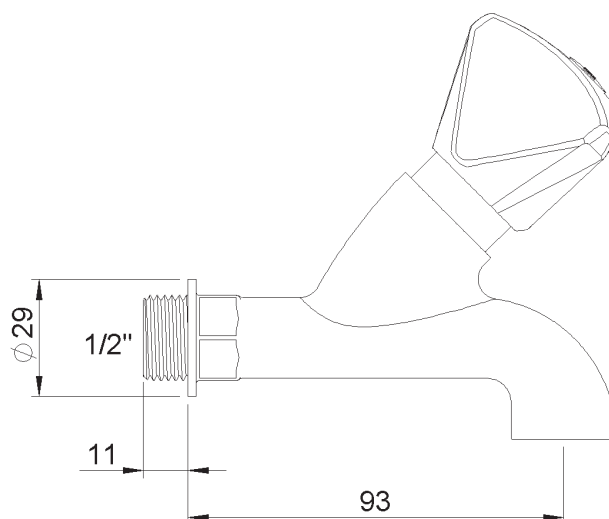
Picture



Product details

Weight : 0,7 kg
Flow at 3 bar : Restricted 5,6 l/min
Internal mechanism : Ceramic valve 1/4 turn

Technical drawing



RA1.V01